

we  
are  
arco

we  
make  
tables

arco

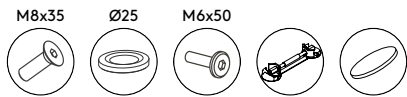
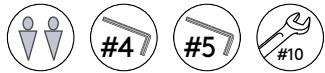
product  
**Kami (≥ 121cm wide)**

designer  
**Joost  
van der Vecht**

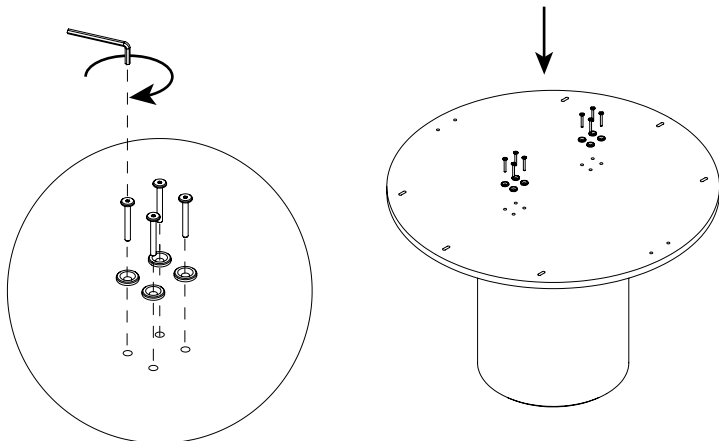
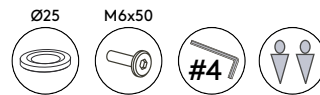
Year  
2020

Assembly  
instructions

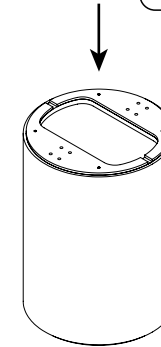
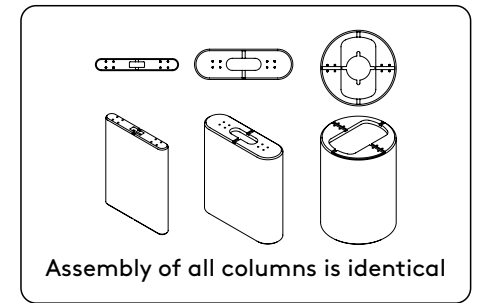
Please follow step 1 - 8.



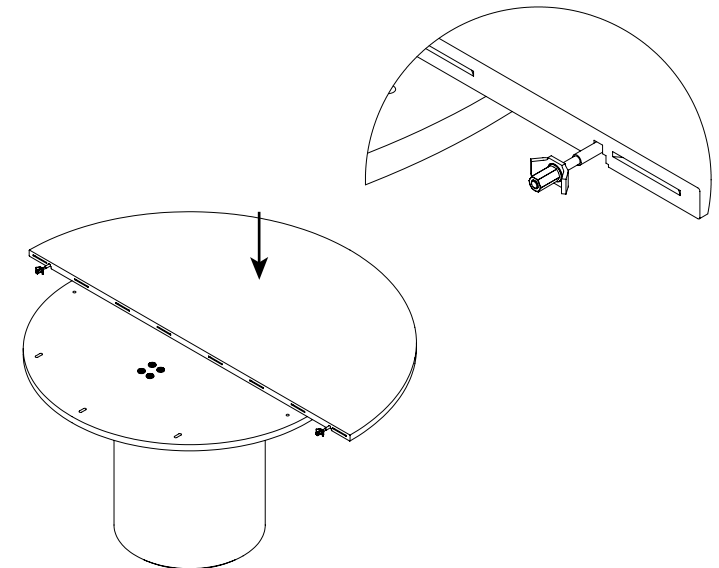
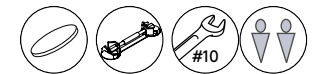
2



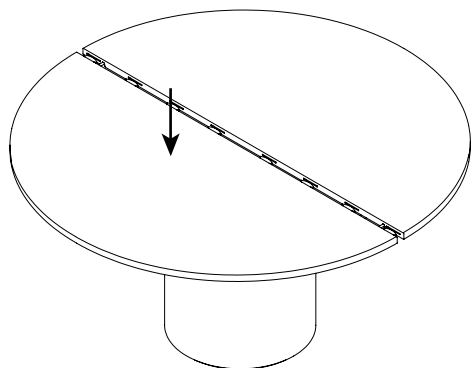
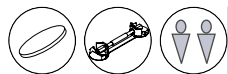
1



3

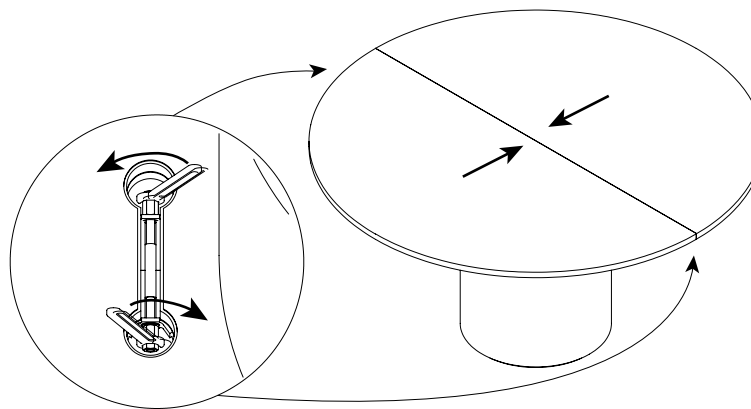
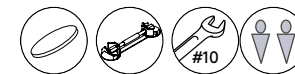


4

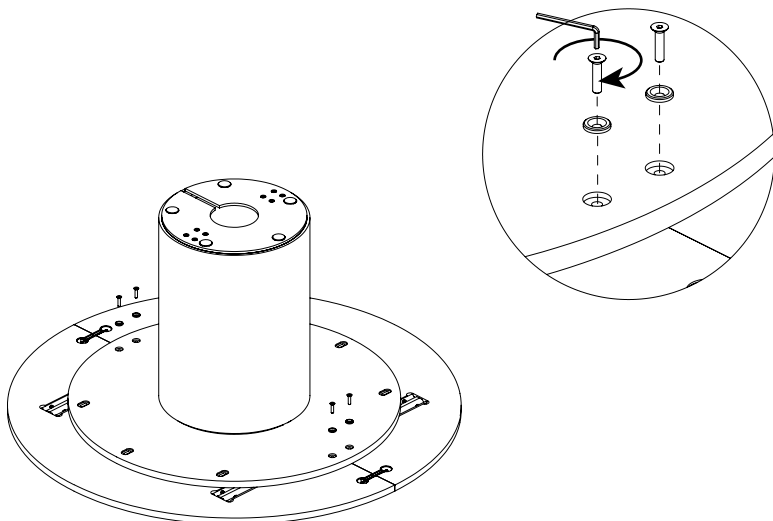
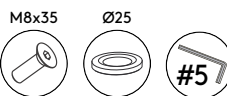


5

First connect the table tops with the tensioners



6



Start bolting from the center

7

